

### Specifications

#### 16:9 Aspect Ratio

Screen Size	Screen Thickness	Screen Dimension	Image Area	Screen Weight
		Height x Width	Height x Width	
60"	2mm (0.08")	790mm x 1370mm (31" x 54")	747mm x 1328mm (29" x 52")	3kg (7lbs.)
65"	2 (0.08)	850 x 1480 (33) x (58)	809 x 1439 (32) x (57)	3 (7)
70"	2 (0.08)	920 x 1590 (36) x (63)	872 x 1550 (34) x (61)	4 (9)
80"	2 (0.08)	1040 x 1820 (41) x (72)	996 x 1771 (39) x (70)	5 (11)
100"	2 (0.08)	1290 x 2260 (51) x (89)	1245 x 2214 (49) x (87)	7 (15)

#### 4:3 Aspect Ratio

Screen Size	Screen Thickness	Screen Dimension	Image Area	Screen Weight
		Height x Width	Height x Width	
60"	2mm (0.08")	960mm x 1260mm (38" x 50")	914mm x 1219mm (36" x 48")	3kg (7lbs.)
65"	2 (0.08)	1040 x 1370 (41) x (54)	991 x 1321 (39) x (52)	3 (7)
70"	2 (0.08)	1110 x 1470 (44) x (58)	1067 x 1422 (42) x (56)	4 (9)
80"	2 (0.08)	1260 x 1670 (50) x (66)	1219 x 1626 (48) x (64)	5 (11)
100"	3 (0.12)	1570 x 2080 (62) x (82)	1524 x 2032 (60) x (80)	12 (26)
120"	3 (0.12)	1870 x 2480 (74) x (98)	1829 x 2438 (72) x (96)	17 (37)

### Screen material

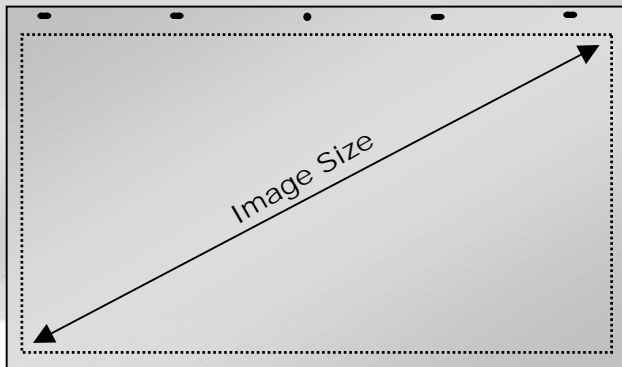
PMMA

### Finishes

Matte finish on both surface.

### Form of Screen

BOS-C has one center-hole at top of the screen and four loose-hole lined up near to the center-hole.  
Hole diameter and the distance between each hole vary with the screen size.

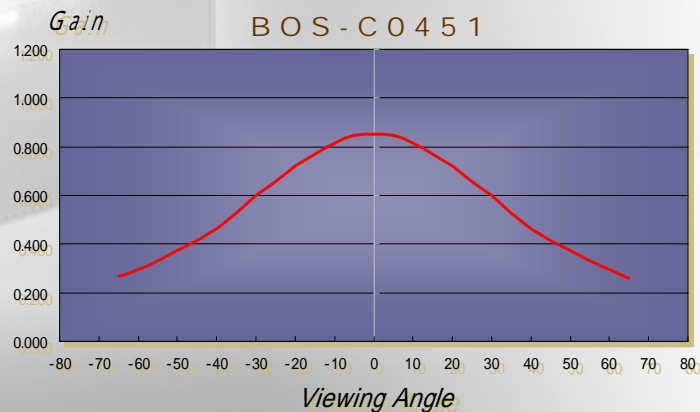


### Transmittance

45%

### Viewing angle

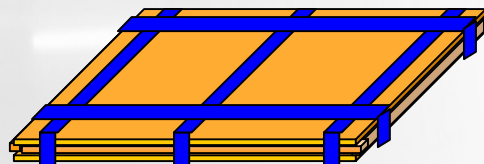
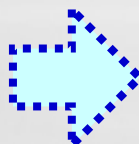
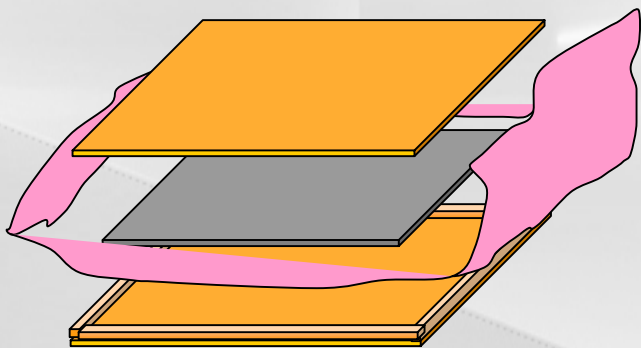
Peak Gain ( 5° )	0.85
1/2 Gain Angle	43
1/3 Gain Angle	62



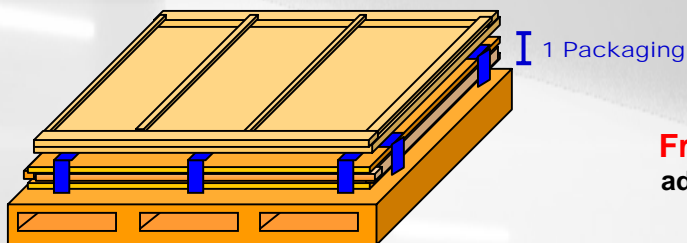
\* Specification are subject to change at any time.

## Packaging

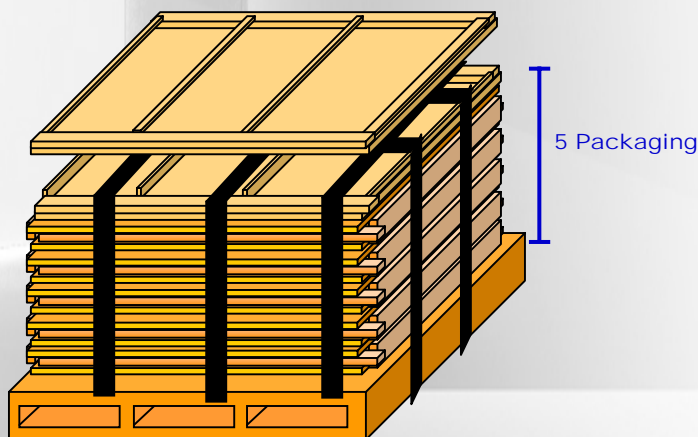
All screens are packed and shipped individually in reinforced cardboard packaging, suitable for international shipment.



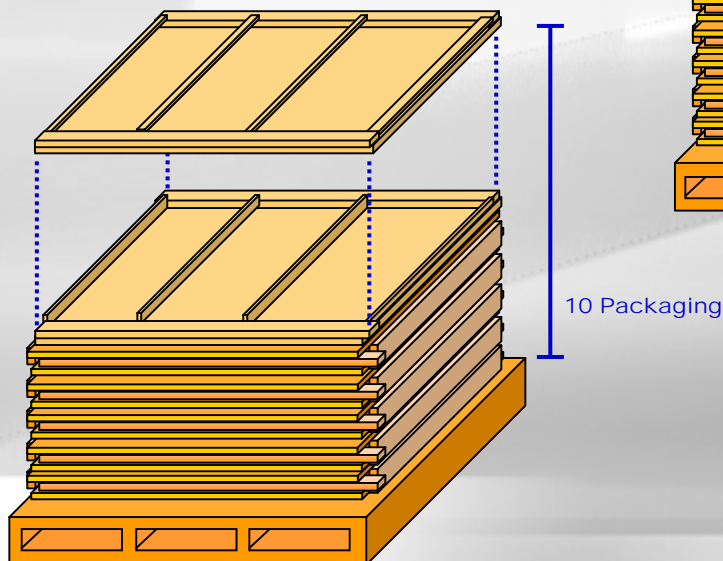
**For 100" or over**, pallet is required in addition to individual packaging, to avoid transport damage.



**From 5 pieces**, pallet is required in all screen sizes additional to individual packaging.



1 pallet holds up to 10 screens.



### Order Qty

1 to 4	_____	No pallet (except 100" or bigger)
5 to 10	_____	1 pallet
11 to 20	_____	2 pallets
21 to 30	_____	3 pallets

### Packaging Estimated measurement and weight of packing

#### Cardboard packaging dimension and Weight

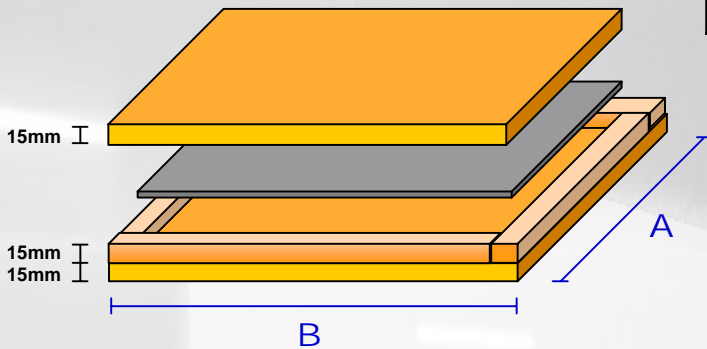
\*Total Package Weight includes screen weight.

##### 16:9 Aspect Ratio

Screen Size	Total Package Thickness	Package Dimension	Total Package Weight*	
		A x B	A/W	V/W
60"	45mm (1.77")	910mm x 1490mm (36" x 59")	9kg (20lbs.)	10kg (22lbs.)
65"	45 (1.77)	970 x 1600 (38) x (63)	10 (22)	12 (26)
70"	45 (1.77)	1040 x 1710 (41) x (67)	12 (26)	13 (29)
80"	45 (1.77)	1160 x 1940 (46) x (76)	15 (33)	17 (37)
100"	45 (1.77)	1410 x 2380 (56) x (94)	26 (57)	25 (55)

##### 4:3 Aspect Ratio

Screen Size	Total Package Thickness	Package Dimension	Total Package Weight*	
		A x B	A/W	V/W
60"	45mm (1.77")	1080mm x 1380mm (43" x 54")	10kg (22lbs.)	11kg (24lbs.)
65"	45 (1.77)	1160 x 1490 (46) x (59)	12 (26)	13 (29)
70"	45 (1.77)	1230 x 1590 (48) x (63)	13 (29)	15 (33)
80"	45 (1.77)	1380 x 1790 (54) x (70)	17 (37)	19 (42)
100"	45 (1.77)	1690 x 2200 (67) x (87)	29 (64)	28 (62)
120"	45 (1.77)	1990 x 2600 (78) x (102)	41 (90)	39 (86)



\*A/W = Actual Weight  
V/W = Volume Weight

#### Pallet Dimensions and Weight

##### 16:9 Aspect Ratio

Screen Size	Total Pallet Thickness	Package Dimension	Total Package Weight	
		A x B	A/W	V/W
60"	155mm (6.1")	910mm x 1490mm (36" x 59")		35kg (77lbs.)
65"	155 (6.1)	970 x 1600 (38) x (63)		40 (88)
70"	155 (6.1)	1040 x 1710 (41) x (67)		46 (101)
80"	155 (6.1)	1160 x 1940 (46) x (76)		58 (128)
100"	155 (6.1)	1410 x 2380 (56) x (94)		87 (192)

##### 4:3 Aspect Ratio

Screen Size	Total Pallet Thickness	Package Dimension	Total Package Weight	
		A x B	A/W	V/W
60"	155mm (6.1")	1080mm x 1380mm (43" x 54")		39kg (86lbs.)
65"	155 (6.1)	1160 x 1490 (46) x (59)		45 (99)
70"	155 (6.1)	1230 x 1590 (48) x (63)		51 (112)
80"	155 (6.1)	1380 x 1790 (54) x (70)		64 (141)
100"	155 (6.1)	1690 x 2200 (67) x (87)		96 (211)
120"	155 (6.1)	1990 x 2600 (78) x (102)		134 (295)

