

Blue Ocean® Drifter

Solution Rear Projection Unit

The **Drifter** is a "solution" rear projection unit, designed by U.S. Nippura, Inc., that offers a unique all-in-one package. This ceiling mounted unit is perfect for venues with high ceilings such as large convention centers, museums, sports bars, and churches. The Drifter allows you to utilize the full potential of large open spaces otherwise rendered unusable.

Applications

Since the unit allows for rotating or fixed displays, the **Blue Ocean® Drifter** is brilliant as an eye-catching in-store advertisement medium. Enhance the "wow factor" of a retail location by displaying frameless, high-definition images at important point of sale positions. A car dealer can create powerful visual appeal by introducing the year's new car with high performance footage floating just above. Increase advertising impact in lobbies, entrance halls, and other high traffic areas without using valuable floor space. Or blow away sports fans with 100 inches of high-definition sports action like never seen before.



Advantages

- ◀ An eye-catching design increases customer attention
- ◀ Overhead installation allows for placement in the center of the room instead of being limited to the location of the walls
- ◀ Option of still or moving display provides great versatility
- ◀ The amazing Blue Ocean® screen technology creates "wow factor" in any location

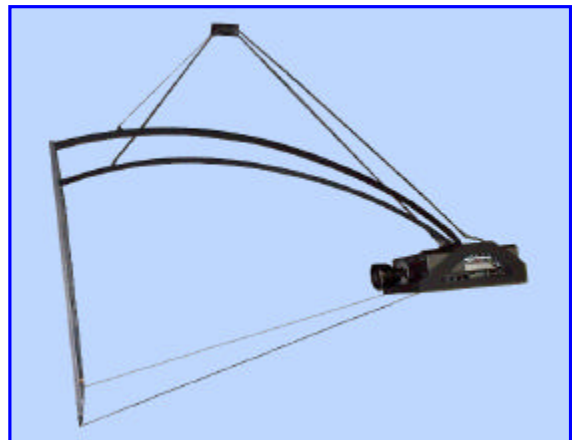
Design Options

The **Drifter** is available in two configurations:

- ◀ Stationary Arch mount for still displays
- ◀ Swivel Arch Mount for oscillating displays



Contact your local professional A/V integrator for more details or find an Authorized Blue Ocean® Reseller near you by visiting <http://www.usnippura.com/reseller-locator.htm>



U.S. NIPPURA, INC.

3611 Tryclan Dr. | Charlotte, NC 28217 | Tel: 704-561-9191 | Fax: 704-561-9196
www.usnippura.com

Blue Ocean® Drifter

Price Guide

Solution Rear Projection Unit

The **Blue Ocean® Drifter** is a ceiling mounted unit that is perfect for venues with high ceilings such as large convention centers, museums, sports bars, and churches. And since the unit allows for rotating or fixed displays, the Blue Ocean® Drifter is brilliant as an eye-catching in-store advertisement medium. The unit suspends two arcs which balance a Panasonic PT- DW7000 projector with a 0.8:1 short throw lens on one end and a 100 inch 16:9 Blue Ocean® Rear Projection Screen on the other. The Drifter is available in two configurations: the Stationary and the Swivel Arch Mount. The unit can also be customized to be compatible with other projectors with short throw lenses.



Stationary Arch Mount

Ceiling-height range of 8 to 20 feet above the projector
Other ceiling heights are available

Swivel Arch Mount

Ceiling-height range of 8 to 20 feet above the projector
Rotation range up to 270° (limited by wiring) | 360° movement to be available in future
Other ceiling heights are available

Arch Mount Pricing		
Unit Options	Reseller Price (Not Including Shipping)	MSRP (Not Including Shipping)
Stationary Arch Mount	\$3,090	\$4,419
Swivel Arch Mount	\$4,234	\$6,055
100" 16:9 Blue Ocean® RP Screen	\$4,790	\$6,850
Ceiling Mount	Quoted per design	

IMPORTANT: Please Read

Both the Stationary and Swivel Arch Mount prices **DO NOT** include price of Blue Ocean® RP screen or projector | Prices based on design with 100" Blue Ocean RP Screen | Prices may vary for designs with different screens sizes or projectors | Lead Time: 4 Weeks for standard design | Ceiling mount options are quoted per design to match the existing structure of the installation location | Completed Detail Form must be submitted with order

U.S. NIPPURA, INC.

3611 Tryclan Dr. | Charlotte, NC 28217 | Tel: 704-561-9191 | Fax: 704-561-9196

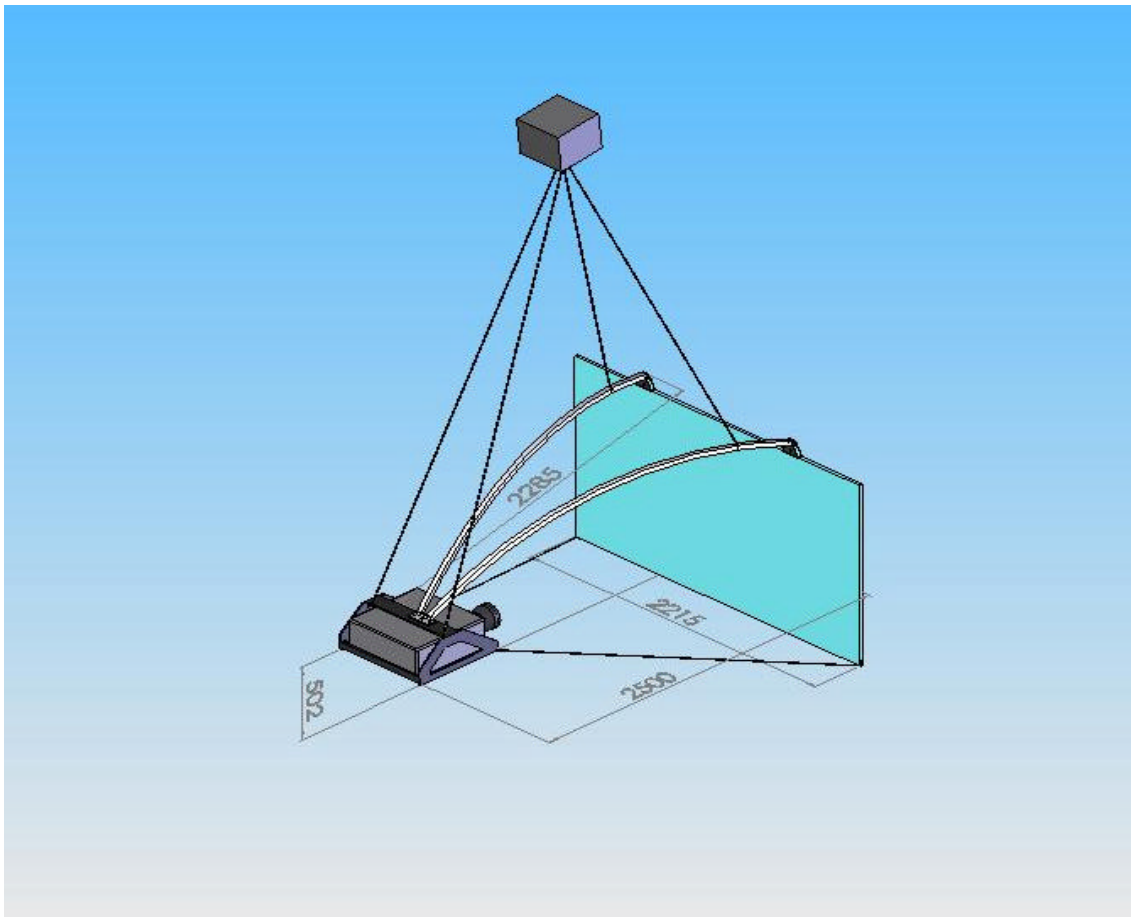
www.usnippura.com

Blue Ocean® Drifter

Dimensions

Solution Rear Projection Unit

Total Length	: 98.4 " (2500 mm)	Screen Width	: 87.2 " (2215 mm)
Arch Length	: 90.0 " (2285 mm)	Screen Height	: 49.0 " (1244 mm)
Total Width	: 87.2 " (2215 mm)	Screen Weight	: 158 lbs (71.7 kg)
Height	: 49.0 " (1244 mm)		
Weight	: 83 lbs (37.7 kg)	Total Weight	: 302 lbs (137 kg)
(Includes arches, projector mount, and drive ONLY)		(Includes 61 lb. weight of Panasonic Projector and lens that is specified for the original design)	



***Important: These dimensions are only valid for standard Drifter design with 100" 16:9 Blue Ocean® Screen and Panasonic PT-DW7000U projector with 0.8 short throw lens. The use of a different screen size or projector may alter dimensions.**

U.S. NIPPURA, INC.

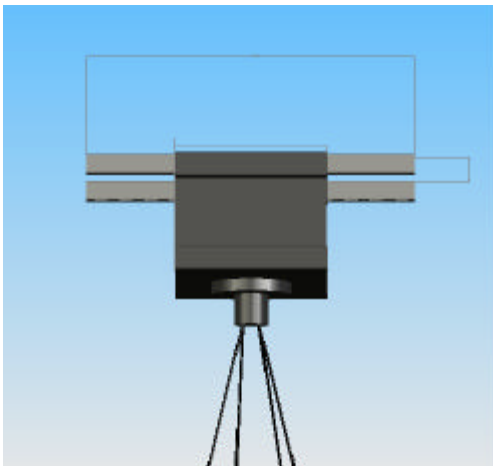
3611 Tryclan Dr. | Charlotte, NC 28217 | Tel: 704-561-9191 | Fax: 704-561-9196
www.usnippura.com

Blue Ocean® is the registered trademark of Nitto Jushi Kogyo Co., Ltd.

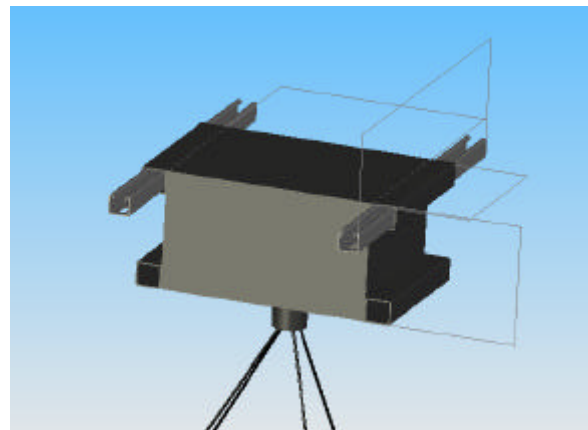
11/12/2007

The drive housing is attached to the building structure with two channel mounts. To accommodate spans between support joists of up to 24", the channel mounts are available in 12" and 26" lengths. If the 26" channel mount is used, the drive housing can slide laterally to be secured anywhere along the channel mount. The channel mounts are made from 12GA 1-5/8" unistrut channel.

FRONT VIEW



SIDE VIEW



Length	:	16.0 " (406 mm)	Height	:	10.0 " (254 mm)
Width	:	12.0 " (305 mm)	Tube Extensions:	:	26 "

Weight of drive with arches and projector mount **83 lbs.**

Weight of 100" 16:9 Blue Ocean Screen **158 lbs.**

Weight of Panasonic PT-DW7000 Projector and lens **61 lbs.**

The structure supporting the channel mounts
must have a safe workload minimum of **302 lbs.**

U.S. NIPPURA, INC.

3611 Tryclan Dr. | Charlotte, NC 28217 | Tel: 704-561-9191 | Fax: 704-561-9196
www.usnippura.com

Blue Ocean® is the registered trademark of Nitto Jushi Kogyo Co., Ltd.

Solution Rear Projection Unit

Complete all information that applies and submit with order

Contact Information

Dealer Name: _____ Account Number: _____
Contact Person: _____ Date Submitted: _____
Phone Number: _____ Date Projected to be installed*: _____
Email: _____

***This unit is entirely custom fabricated per each individual order. NOTHING is "Off the Shelf"! Typical fabrication process takes approximately 4 weeks plus shipping time. Please allow a sufficient time before installation. The use of an alternative projector or screen size may increase fabrication time.**

Motor Details (Disregard if ordering stationary archmount)

What degree of rotation will the Drifter need to oscillate? _____
Standard rotation is 270°

To designate a specific motor for use, please provide make, model, and specifications: _____

Projector Information (The Drifter is designed for use with the Panasonic PT-DW7000U projector with 0.8 short throw lens)

Do you plan to use the Panasonic PT-DW7000U projector with 0.8 short throw lens? _____
If no, what brand _____, what model _____ and what type
of lens _____? Alternative Lens must be 0.8 or shorter

Specifications and drawings of alternative projector and lens must be provided. The use of an alternative projector and lens may increase fabrication time and cost.

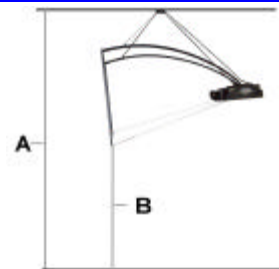
Screen Information (The Drifter is designed for use with the 100" 16:9 Blue Ocean® Projection Screen)

Do you plan to use the 100" 16:9 Blue Ocean® Projection Screen? _____
If no, what size? _____

The use of an alternative screen size may increase fabrication time and cost. Custom screen sizes have a 30 day factory lead time plus transit time from Japan.

Unit Height

What is the ceiling height where the Drifter will be suspended (A)? _____
What is the desired distance from the floor to the bottom of the screen (B)? _____
What is the potential distance from the closest viewer to the screen? _____



U.S. NIPPURA, INC.

3611 Tryclan Dr. | Charlotte, NC 28217 | Tel: 704-561-9191 | Fax: 704-561-9196
www.usnippura.com

Blue Ocean® is the registered trademark of Nitto Jushi Kogyo Co., Ltd.

11/12/2007